

Specification sheet LX 848

Roof drainage systems

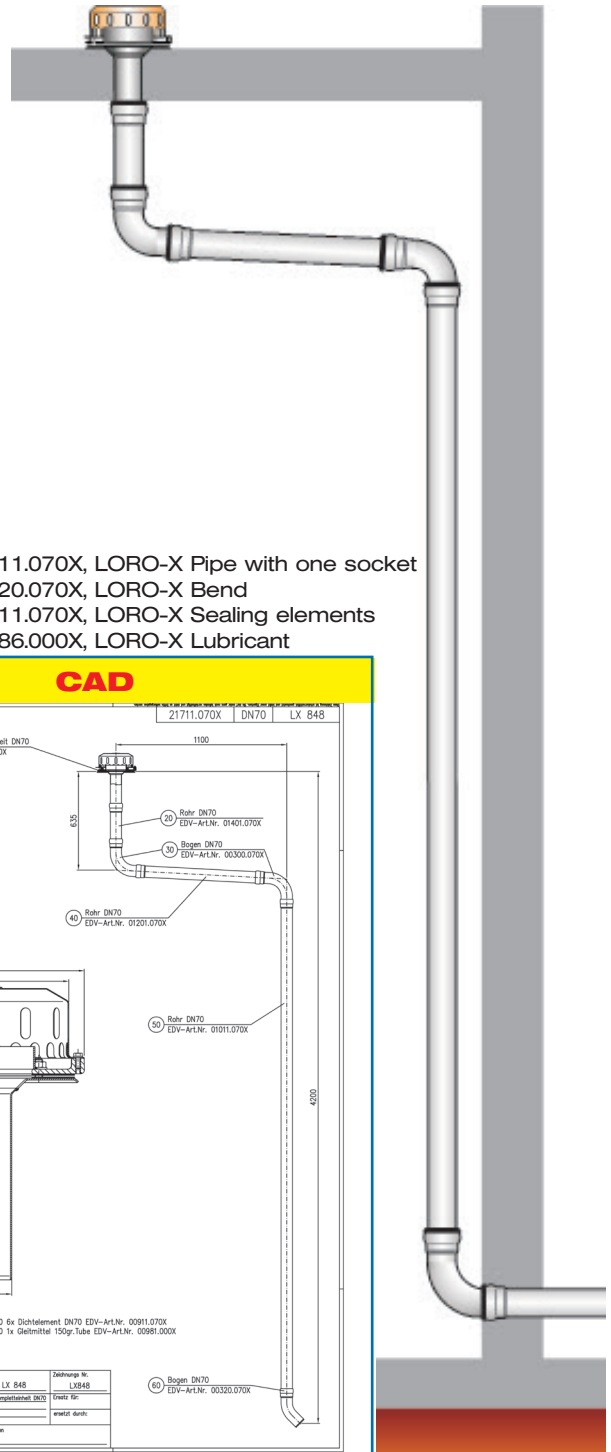
Series 84 DRAINLET®

Emergency drainage

Gravity flow

Silent Power

Discharge rate:	9,0 l/sec
Water height:	75 mm
Roof penetration:	-
Diameter:	DN 70
LX-Number:	LX 848
Weir height:	35 mm
Drain:	ventilated
Downpipe:	not ventilated
Downpipe height:	4,2 m
Drainage:	on floor



LX 848 Piece list

1 x Art.-No. choose drain on page two!

1 x Art.-No. 01401.070X, LORO-X Pipe with one socket

2 x Art.-No. 00300.070X, LORO-X Bend

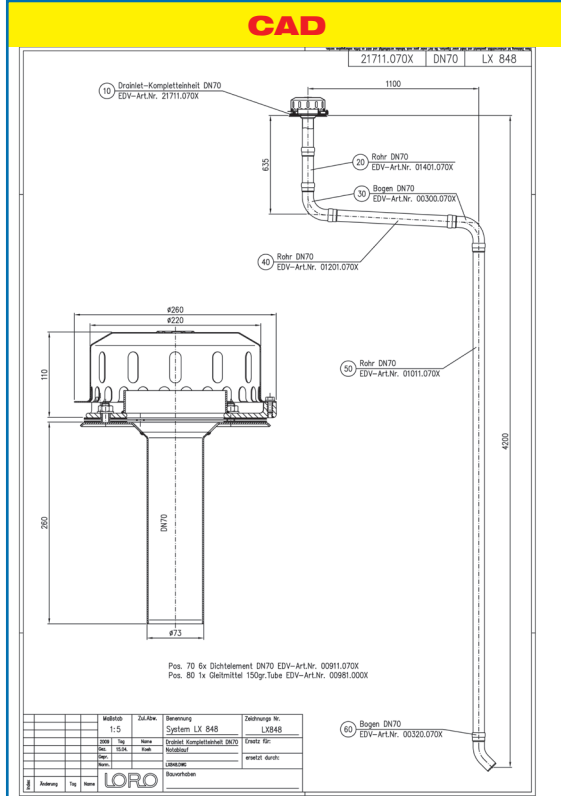
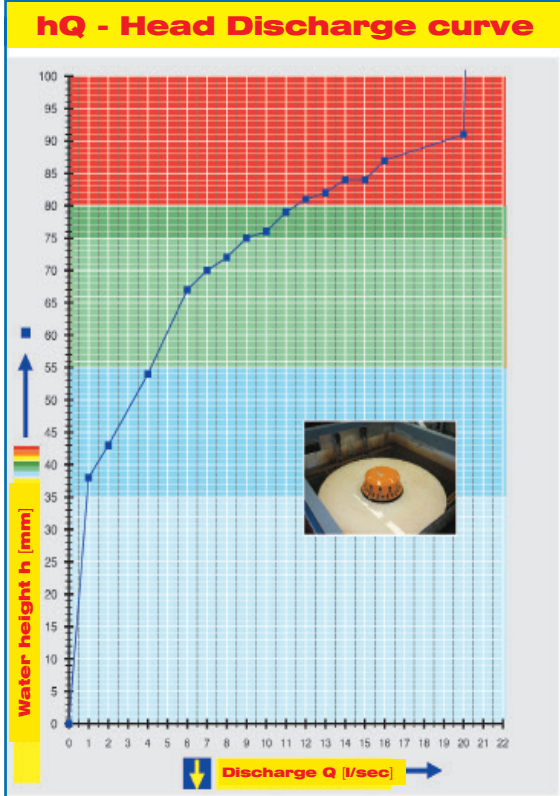
1 x Art.-No. 01201.070X, LORO-X Pipe with one socket

1 x Art.-No. 01011.070X, LORO-X Pipe with one socket

1 x Art.-No. 00320.070X, LORO-X Bend

6 x Art.-No. 00911.070X, LORO-X Sealing elements

1 x Art.-No. 00986.000X, LORO-X Lubricant



Water height	mm	5	10	15	20	25	30	35	40	45	50	55	60	65	70	75
Discharge	l/sec								1,4	2,2	3,2	4,1	4,7	5,6	7	9
Silent Power																

Choose drain for piece list on page one!

DN 70

without thermal insulation

LX848-5X

with clamping flange one-piece
for bituminous and plastic roofing sheets



Drain
Art.-No. 21711.070X



Fire protection drain
Art.-No. 22701.070X

LX848-6X

with clamping flange two-piece
for bituminous and plastic roofing sheets



Drain
Art.-No. 21721.070X



Fire protection drain
Art.-No. 22721.070X



with thermal insulation

LX848-7X

with clamping flange one-piece
for bituminous and plastic roofing sheets



Drain
Art.-No. 21712.070X



Fire protection drain
Art.-No. 22702.070X

LX848-8X

with clamping flange two-piece
for bituminous and plastic roofing sheets



Drain
Art.-No. 21722.070X



Fire protection drain
Art.-No. 22722.070X



with insulation and heating

LX848-9X

with clamping flange one-piece
for bituminous and plastic roofing sheets



Drain
Art.-No. 21713.070X

LX848-10X

with clamping flange two-piece
for bituminous and plastic roofing sheets



Drain
Art.-No. 21723.070X



Fire protection drains: The discharge capacity of the DRAINLET fire protection drains is identical to the one of the standard DRAINLET drains.

Heat tracing: Lorowerk recommends to check all drains and pipes with regard to their frost-sensibility. Where necessary, these parts should be upgraded with heat tracing.